

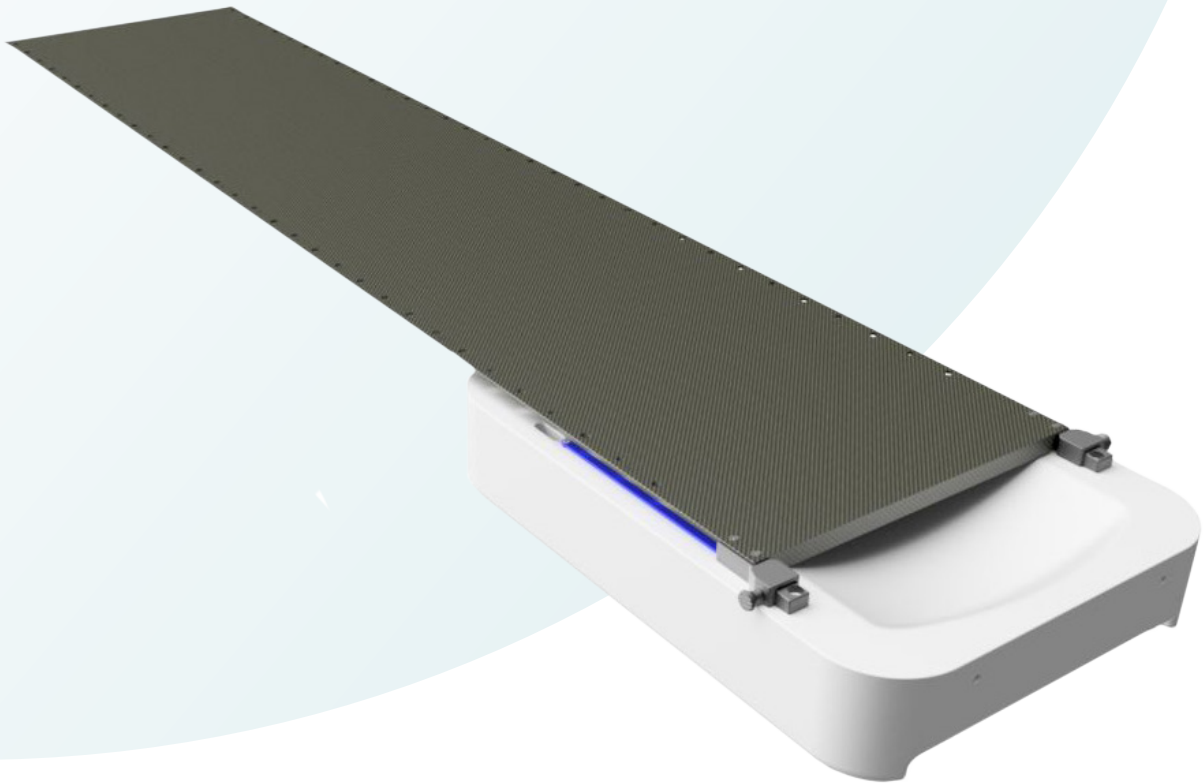


macromedics

SOLUTIONS IN RADIOTHERAPY

MANUAL 141000
Instructions for use
English Instructions

MacroMedics® CT CouchTops for Philips cradles



MacroMedics BV

Oostbaan 670
2841ML Moordrecht
The Netherlands
+31 (0) 182-389777

info@macromedics.com
www.macromedics.com



[This page is intentionally left blank]

Table of Contents

1. Warnings.....	4
2. MRI Safety Information.....	4
3. Intended Use.....	4
4. Installation Instructions.....	5
5. Cleaning, Storage and Disposal.....	9
6. Warranty.....	9
7. Notices.....	9
8. Glossary of Symbols.....	10

1. Warnings



- Inspect the device thoroughly before use. Do not use the device if damaged or if missing parts.
- Check individual components on MR-safety when used together in a patient positioning system.
- Do not use MR unsafe items in an MR environment.
- Place and fix the device properly before positioning the patient. Only position the patient if the CouchTop is locked properly.
- Make sure that the patient lays down calmly.
- Prevent the surface from damaging and scratching.
- Do not sit at the cranial side of the CouchTop.
- Only unlock the CouchTop from the Cradle when the CouchTop is unloaded.
- In the USA, federal law restricts this device to sale by or on the order of a licensed healthcare practitioner.

2. MRI Safety Information

MR UNSAFE

The following devices are MR unsafe:

- 141100 CT Couchtop, CT141100
- 141120 CT Couchtop, CT141120
- 141150 CT Couchtop, CT141150
- 141320 CT CouchTop, CT141320



3. Intended Use

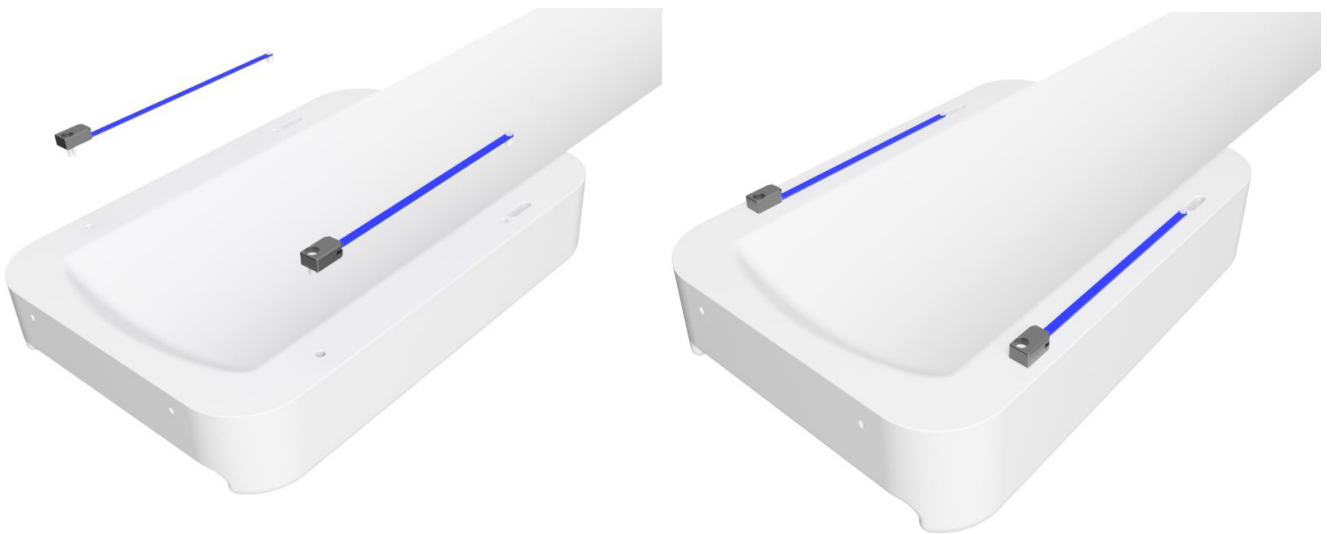
Positioning of the patient during radiotherapy and radiodiagnostics, including MR where indicated.

4. Installation Instructions

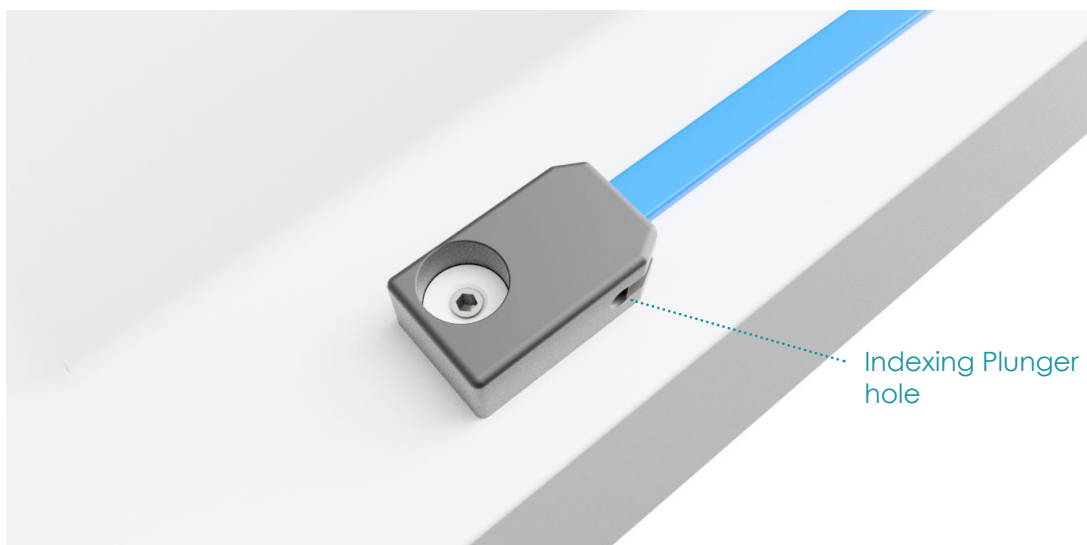
CouchTop installation for the **Philips Brilliance CT Big Bore cradle.**

(CouchTops 141100, 141120, 141150 & 141320)

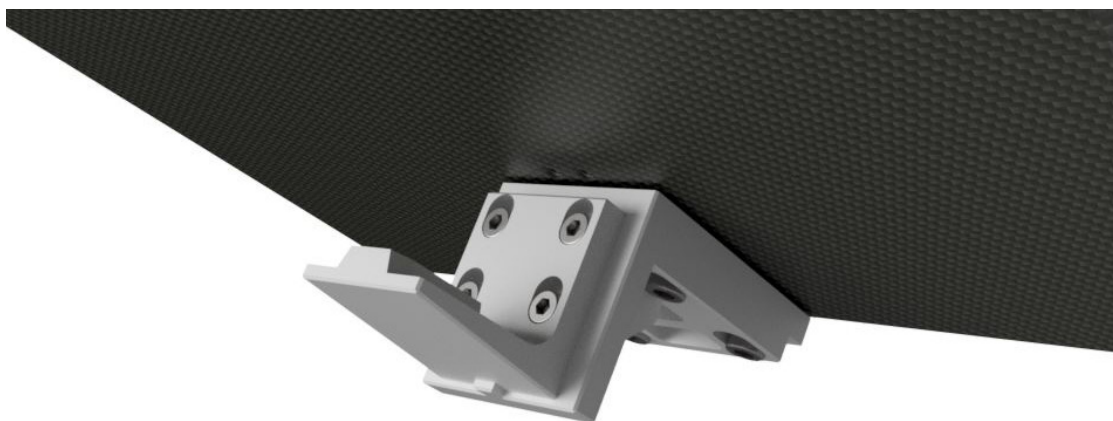
- I. Install the caudal blocks by pushing the stainless steel collet of the two guidestrips into the stainless steel insert of the cradle. During the placement, position the pivot (located on the other side of the blue guidestrip) above the designated hole in the cradle.



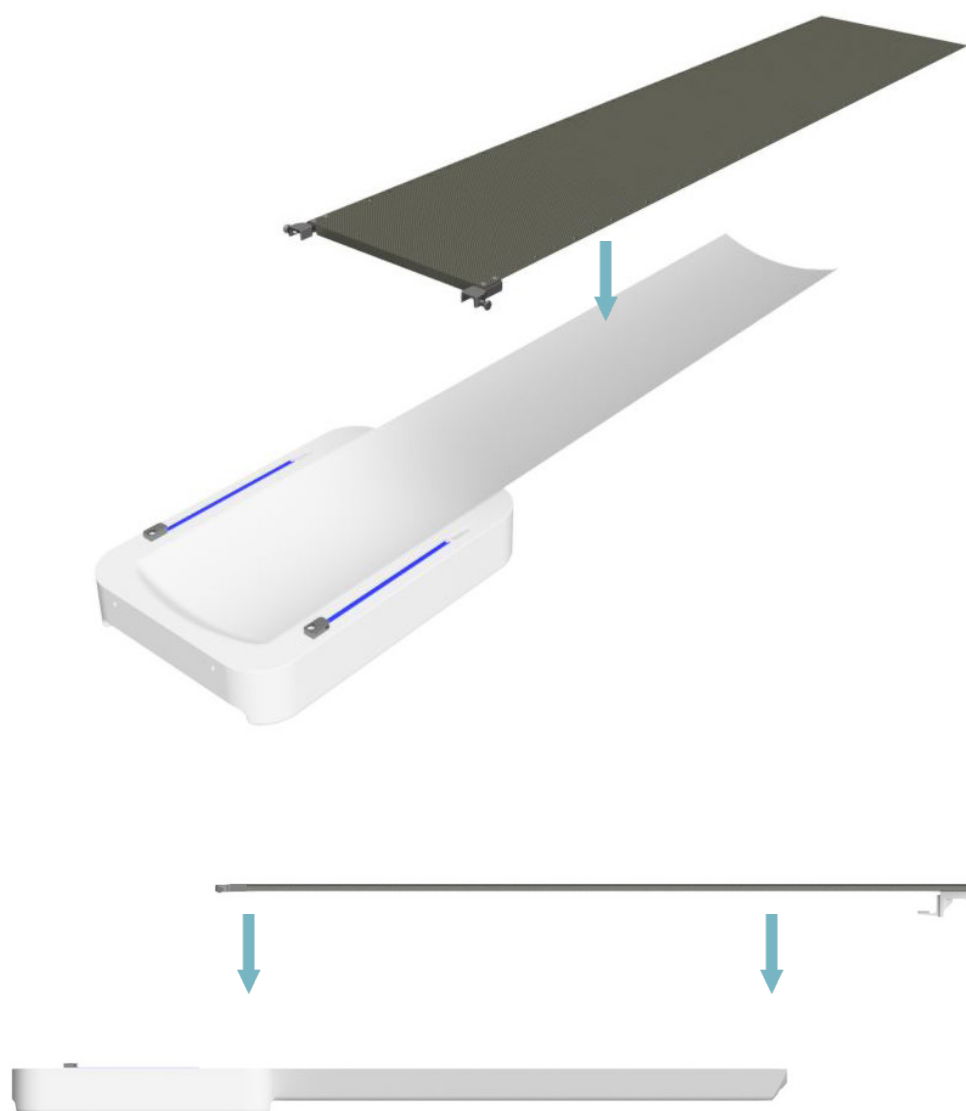
- II. Be aware of a left and right version of the guidestrip. Make sure that the hole for the indexing plunger points towards the lateral direction. Tighten the set screw with an Allen key until the caudal block is secured to the cradle.



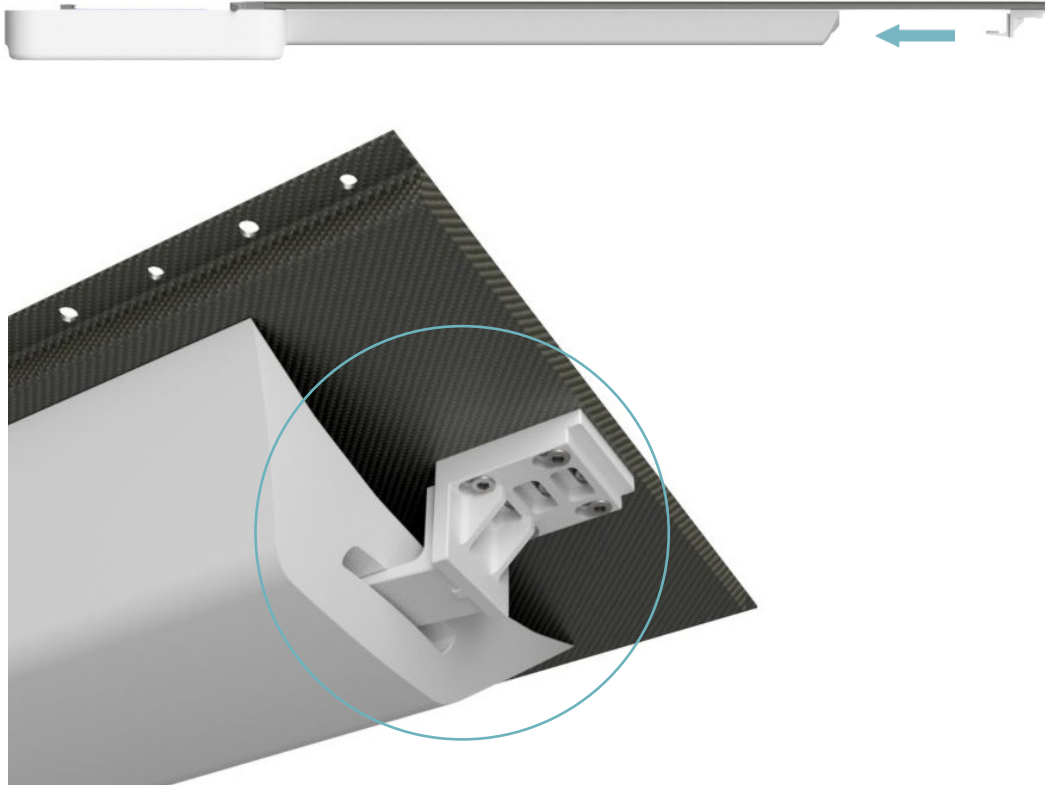
- III. Loosen all screws at the cranial side of the CouchTop with an Allen key.



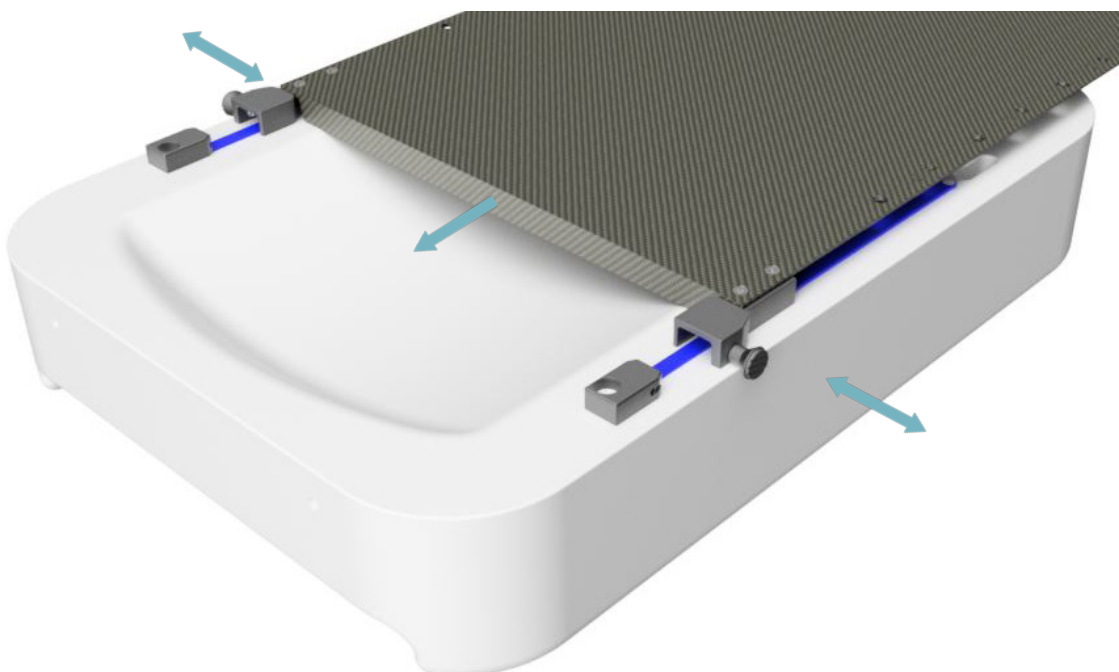
- IV. Position the CouchTop above the cradle and place it carefully.



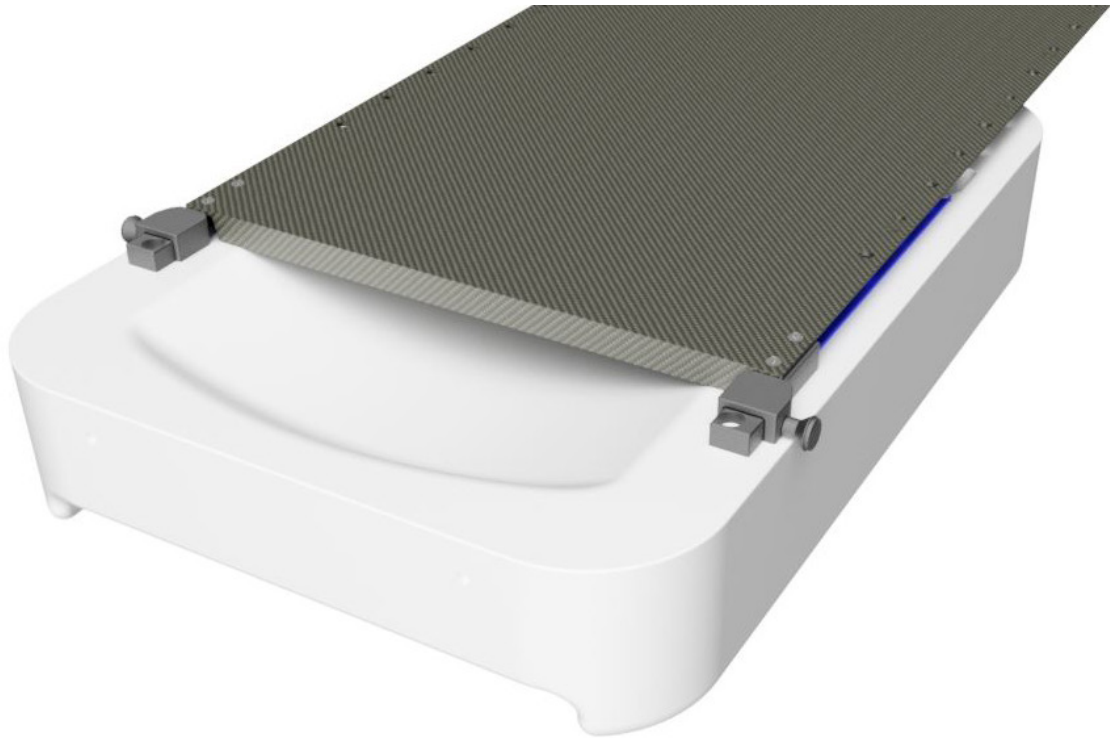
- V. Slide the couchtop towards the caudal side and make sure that the spoon slides in the cradle.



- VI. As the CouchTop nears the caudal blocks, pull the indexing plungers, slide the CouchTop over the caudal blocks and release the indexing plungers once in-line with the indexing plunger holes.



Final position:



VII. Tighten the screws from step 3.

5. Cleaning, Storage and Disposal

- Clean the device before and after every use with 70% Isopropanol or soapy water, applied with a soft cloth. Rinse with water and dry properly. Follow the cleaning precautions detailed on the bottle of the cleaning agent.
- If unsure about the cleaning fluid, do not use it. Never use Ethanol (Ethyl alcohol), aerosol sprays, corrosive cleaning agents, solvents or abrasive detergents.
- Make sure that there is no residue of the cleaning agent left on the device prior to use.
- The devices are not suitable for sterilization or thermal disinfection.
- Store the device in a clean, ventilated environment.
- Dispose of the device in accordance with the local laws and regulations applicable to your country.

6. Warranty

The MacroMedics products are warranted to be free from defects in manufacturing, material and construction. The warranty is for 1 year starting from the date of delivery.

Product warranties remain valid provided the product was installed and/or used according to the instructions. Defects, malfunctions or failures caused by nature, misuse, abuse and unauthorised alteration or repair are not warranted.

This warranty is limited to the repair and/or replacement at the sole discretion of MacroMedics.

7. Notices

Any serious incident that has occurred in relation to the device should be reported to the manufacturer and the competent authority of the Member State in which the user or patient is established.

8. Glossary of Symbols

Symbol	Symbol Name	Description of Symbol
	European Conformity	EC declaration of conformity by manufacturer.
	Manufacturer	Indicates the medical device manufacturer.
	Catalogue Number	Indicates the manufacturer's catalogue number so that the medical device can be identified.
 GS1 Code: (21)	Serial Number	Indicates the manufacturer's serial number so that a specific medical device can be identified.
	Consult Instruction for Use	Indicates the need for the user to consult the instructions for use.
	Caution	Indicates the need for the user to consult the instructions for use for important cautionary information such as warnings and precautions that cannot, for a variety of reasons, be presented on the medical device itself.
Rx ONLY	Prescription Only	Devices for sale to physicians or trained healthcare providers only.
	MR Unsafe	An item which poses unacceptable risks to the patient, medical staff or other persons within the MR environment.



[This page is intentionally left blank]



macromedics

SOLUTIONS IN RADIOTHERAPY

MacroMedics BV

Oostbaan 670
2841 ML Moordrecht
The Netherlands



+31 (0) 182 38 97 77

info@macromedics.com
www.macromedics.com

(Visit www.macromedics.com for a digital copy of this manual)



26042021V3IFU141000