



macromedics

SOLUTIONS IN RADIOTHERAPY

MANUAL 154600
Instructions for use
English Instructions

MacroMedics® MacroBath™ Trolley



MacroMedics BV
Oostbaan 670
2841ML Moordrecht
The Netherlands
+31(0)182 389 777
info@macromedics.com
www.macromedics.com



[This page is intentionally left blank]

Table of Contents

1. Warnings.....	4
2. MRI Safety Information.....	4
3. Use.....	4
4. Maximum Applied Loads	5
5. Cleaning and Disposal.....	6
6. Warranty.....	6

1. Warnings



- Please take safety precautions when using the MacroBath Trolley.
- New drawer slides may be stiff and difficult to open when first expanding the guiderail. A gentle outward pull will release the safety catch that is built in to prevent the drawer from opening while moving.
- Do not open more than one drawer at a time.
- Do not step or climb on drawers.
- Do not let children near the trolley.
- Use with products heavier than the maximum weight indicated may result in instability causing possible injury.
- Fill the bottom drawer first. If the trolley is filled from the top drawer down, then the trolley will be top-heavy and might fall over.
- Set the brake on locking casters unless you are moving the trolley.
- Lock drawers before moving the trolley.
- Check bolts/screws periodically and tighten them if necessary.
- Make sure all drawers are closed tightly prior to locking using the keys which are included.

2. MRI Safety Information

MR UNSAFE

The following products are MR unsafe:

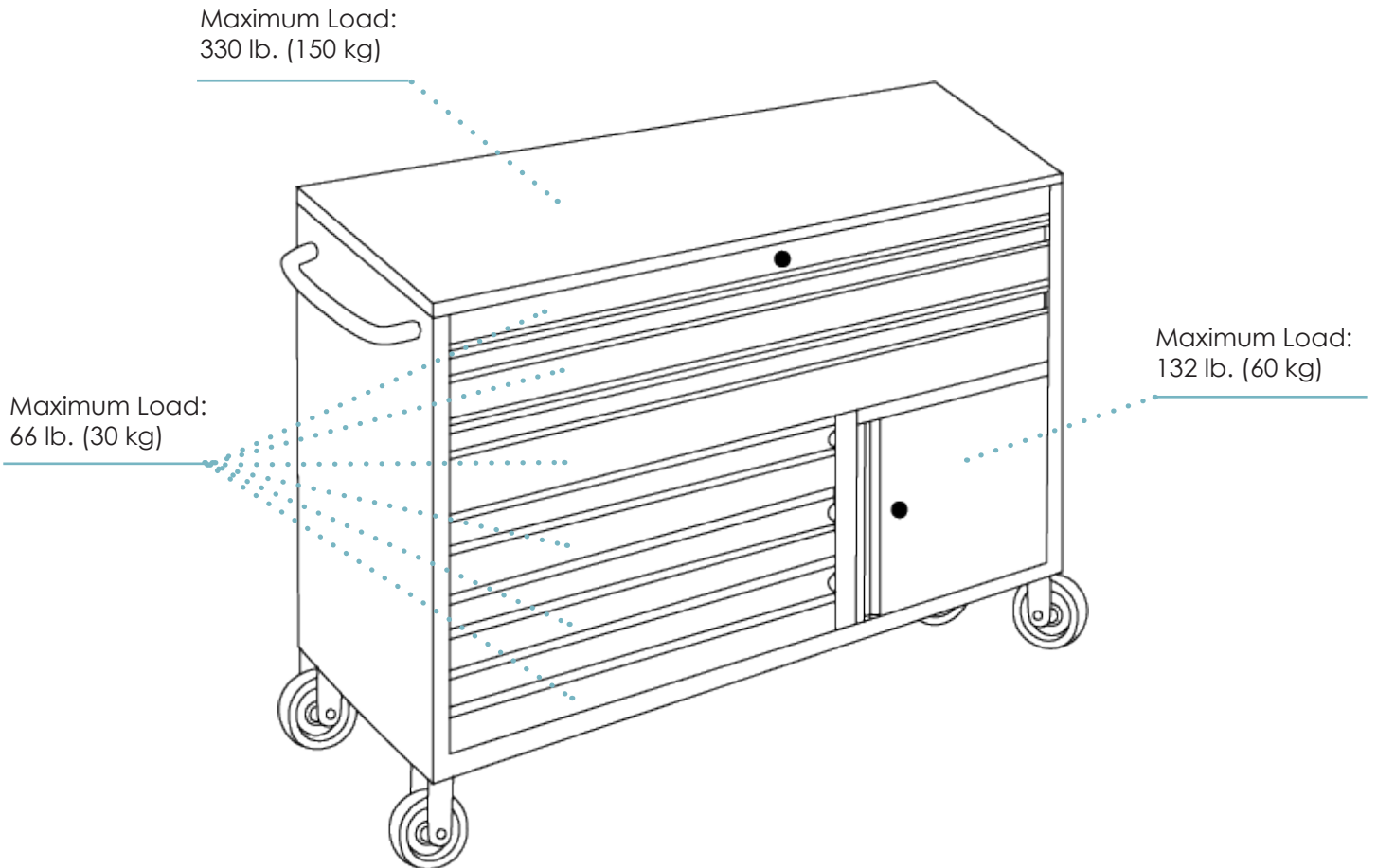
- 154600 MacroBath Trolley



3. Use

Storage of products and for placement and transportation of the MacroBath Water bath.

4. Maximum Applied Loads



Do not exceed the stated maximum applied load. Higher loads might cause instability, which may result in injury.

5. Cleaning and Disposal

- Clean the product with 70% Isopropanol or soapy water, applied with a soft cloth that will not scratch the surface. Follow the cleaning precautions detailed on the cleaning product.
- If unsure about the cleaning fluid, do not use it. Never use Ethanol (Ethyl alcohol), aerosol sprays, corrosive cleaning agents, solvents or abrasive detergents.
- Liquid spill should be removed immediately. Use a soft clean cloth and blot the spill gently. Avoid rubbing.
- Dispose of the device in accordance with the local laws and regulations applicable to your country.

6. Warranty

The MacroMedics products are warranted to be free from defects in manufacturing, material and construction. The warranty is for 1 year starting from the date of delivery.

Product warranties remain valid provided the product was installed and/or used according to the instructions. Defects, malfunctions or failures caused by nature, misuse, abuse and unauthorised alteration or repair are not warranted.

This warranty is limited to the repair and/or replacement at the sole discretion of MacroMedics.



[This page is intentionally left blank]



macromedics

SOLUTIONS IN RADIOTHERAPY

MacroMedics BV

Oostbaan 670
2841 ML Moordrecht
The Netherlands

+31 (0) 182 389 777
info@macromedics.com

www.macromedics.com

(Visit www.macromedics.com for a digital copy of this manual)



26042021V5IFU154600